

DEX

SPARES

FACTORY DIRECT MACHINERY SPARES

PRODUCT CATALOGUE 2023



+61(0)7 4728-1158
info@dexspares.com
www.dexspares.com



ABOUT US	2
CUSTOMER TESTIMONIALS	3
HYDRAULIC ROCKBREAKERS	4-7
HYDRAULIC QUICK HITCHES	8-9
HYDRAULIC GRAPPLES	10
HYDRAULIC 5 FINGER GRAPPLES	11-12
ORANGE PEEL GRAPPELS	13-15
DEMOLITION GRAPPLES	16-17
HYDRAULIC CONCRETE PULVIRISOR	18-19
HYDRAULIC SHEARS	20-21
HYDRAULIC DEMOLITION SHEARS	22-23
HYDRAULIC COMPACTORS	24-25
HYDRAULIC CRUSHER BUCKETS	26-29
HYDRAULIC SCREENING BUCKETS	30-32
VIBRO RIPPERS	34-35
HYDRAULIC MAGNETS	36-37
WEAR PARTS GET	38
HEAT EXCHANGERS	39



If you don't see what you need in this catalogue, contact our team for more information.

A Better Way to Buy Machinery Spares



Rockbreakers



Quick Hitches



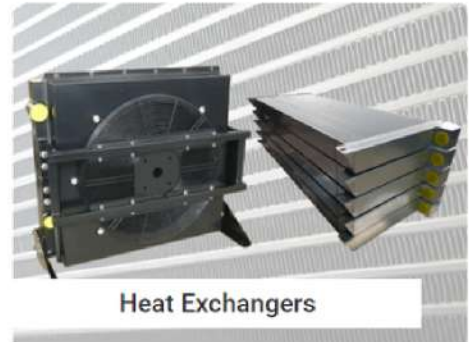
Attachments



Buckets



Wear Parts



Heat Exchangers

Our team offer machinery owners and operators an alternative to expensive Original Equipment parts. Our DEX factory-direct model lowers costs and avoids unnecessary costs to give our customers a competitive advantage throughout earthmoving, quarry, construction, demolition and waste management industries.

- ✓ Original Equipment Alternative
- ✓ High Performance Engineered Solutions
- ✓ Factory Direct to Door



Product Customisation and Spare Parts

DEX products are made to suit any make and model machine. Further customisations can be made, such as extended hydraulic hose lines to suit your business. Work with our team to custom design, engineer and manufacture custom made excavator attachments. Spare parts & rebuild kits are available for DEX products to maximise the life of equipment.

If you don't see what you need in this catalogue, contact our team for more information.

Hear it from DEX Customers

“ We’ve certainly put DEX products to the test. We've consistently flogged the rockbreakers for over 1500 hours without a single failure.

People in this industry don't have many options when it comes to buying new attachments and spare parts. The DEX direct supply model has allowed us to save a significant amount of money, we just don't look anywhere else. ”

Charlie Bourne, Adelaide Hills Sandstone



Adelaide Hills Sandstone



Talk to some of our customers to get their direct feedback on our DEX Products.



Proven Rockbreakers to Suit Various Makes and Models

DEX Rockbreakers suit various makes and models including Caterpillar, Komatsu, Volvo, Hitachi, Doosan, Kobelco, Yanmar, Shantui, JCB, CASE and more. All rockbreakers include pins to suit any machine type and also include 2 chisels of your choice.

Customisation

Customisations can be made to suit your specific requirements, such as extended hydraulic hose lines and custom chisels.

Spare Parts

All spare parts and rebuild kits are available to maximise the life of equipment.



Each Rockbreaker includes:

- ✓ Rock Breaker
- ✓ Head Bracket with pins & bushes to suit any make/model
- ✓ 2 pieces of Chisel Tools of your choice (see below)
- ✓ All hoses and fittings
- ✓ Tool Kit (N2 Cylinder, gas charging kit and tool box)

Each Rockbreaker includes 2 pieces of Chisel Tools of your choice:



CONE

- General Demolition Work
- Universal Chisel



WEDGE

- Demolition Work
- Road Construction
- Bridge Foundation



BLUNT

- Mining
- Quarry
- Crushing Rock



MOIL

- Heavy Demolition Work
- Road Construction
- Bridge Foundation
- Boulder Crushing

"We've certainly put DEX products to the test. We've consistently flogged the rockbreakers for over 1500 hours without a single failure."

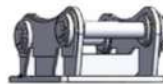
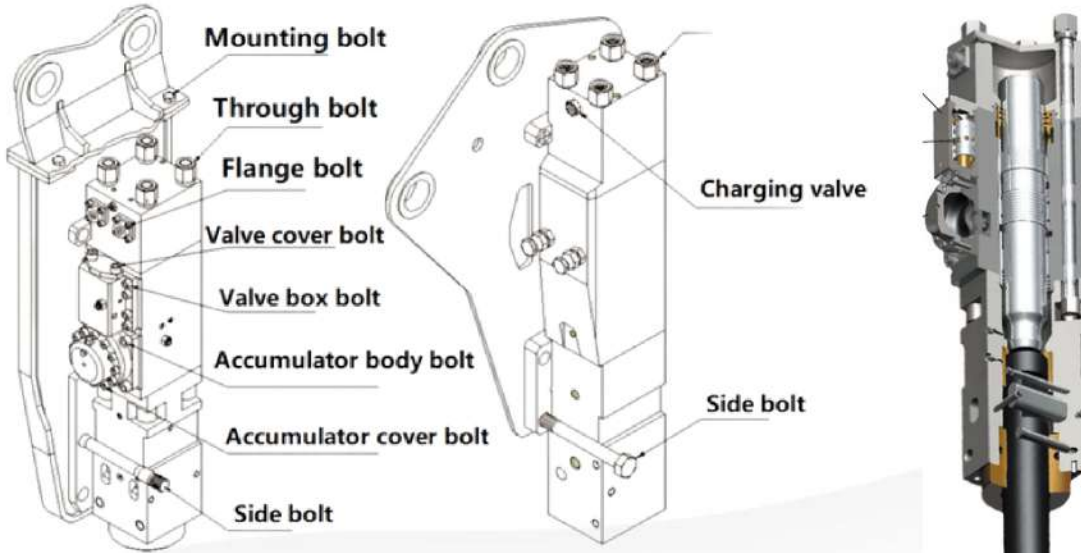
People throughout this industry don't have many options when it comes to buying new attachments and spare parts. The DEX direct supply model has allowed us to save a significant amount of money, we just don't look anywhere else."

Charlie Bourne, Adelaide Hills Sandstone

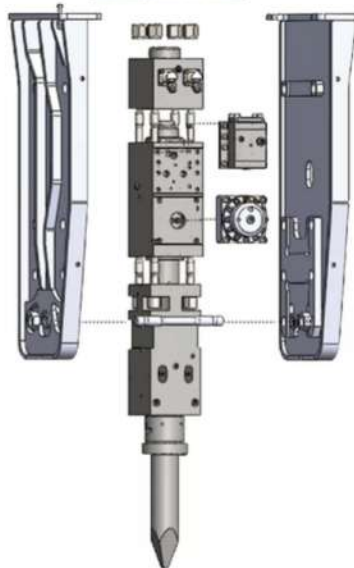


SPARE PARTS

All spare parts and rebuild kits are available for all DEX rockbreakers to maximise the life of your equipment.



N2 Charging Kit



Cylinder With Piston

Excavator Weight	MODEL	Total Weight	Oil Flow Range	Operating Pressure	Impact rate	Impact Energy	Chisel/ Tool
TON		KG	L/Min	KG/cm2	BPM	KG L/M	mm
0.5-1.5	DEX350	62	14-30	85-120	600-900	28	35
1.2-3	DEX450	140	20-30	80-100	600-1200	30	45
2.5-4.5	DEX530	174	25-50	90-120	500-1000	33	53
4-7	DEX680	395	40-70	110-140	500-900	70	68
6-10	DEX750	475	50-90	120-150	400-800	92	75
11-15	DEX1000	988	80-110	150-170	350-700	214	100
18-21	DEX1350	1775	100-150	160-180	350-600	363	135
20-26	DEX1400	2026	120-180	160-180	350-500	429	140
28-35	DEX1550	2738	180-240	160-180	350-450	663	155
30-40	DEX1650	3410	200-260	160-180	250-400	918	165
40-50	DEX1750	4387	210-290	160-190	200-350	1224	175
40-55	DEX1850	4860	220-300	180-210	180-250	1656	185
45-60	DEX1900	5490	290-350	180-210	180-250	2078	190
50-70	DEX2000	6540	300-400	190-260	100-320	2210	200
55-80	DEX2100	7000	320-420	190-260	100-320	2345	210

Contact our team to confirm pricing for a DEX Rockbreaker delivered directly to your workshop or jobsite.



Expand Your Machinery Capabilities

Get more work done using DEX Hydraulic Quick Hitches. DEX quick hitches are made to suit various makes and models including Caterpillar, Komatsu, Volvo, Hitachi, SANY, Doosan, Kobelco, XCMG, Yanmar, Shantui, JCB, CASE and more. All hitches include pins, hoses and fittings to easily attach to your machinery.

- ✔ **High-Quality Pins**, made of high quality quenched and tempered structural steel to ensure long-term integrity.
- ✔ **High-Tensile Structural Steel**, manufactured from Q355B low alloy structural steel delivering high tensile strength & performance.
- ✔ **Dual Locking**, equipped with dual locking safety system that includes both the hydraulic lock and safety pin to prevent attachments from disengaging.
- ✔ **Reinforced Welds**, high quality layer welds tested with ultrasonic scans to ensure consistent high quality products.
- ✔ **Fittings**, each quick hitch includes all hoses and necessary fittings to install it correctly to your machinery.



Hydraulic Quick Hitches



Excavator Weight (T)	Part Number	Hitch Weight (Kg)	Oil Flow Range (L/Min)	Cylinder Reach (mm)
1-4T	DEXQH40	50	10-20	208-318
4-8T	DEXQH80	80	10-20	340-450
12-16T	DEXQH150	180	10-20	340-486
18-25T	DEXQH200	350	10-20	256-390
25-30T	DEXQH250	550	10-20	413-590
30-40T	DEXQH300	800	10-20	520-590

Gain even more flexibility with Tilting Quick Hitches

High quality hydraulic actuators ensure solid angular stability. Total tilting angles of 135° or 180° provides ultimate versatility for all your attachments.



Excavator Weight (T)	Part Number	Hitch Weight (Kg)	Total Tilt (Degree)	Output Torque (Nm)	Holding Torque (Nm)
1-2T	DEXQH20T	78	180	1800	1000
3-4T	DEXQH40T	99	180	2800	6800
5-6T	DEXQH60T	153	180	4700	12000
7-9T	DEXQH90T	208	180	7300	18000
10-15T	DEXQH150T	326	135	10500	26000
17-22T	DEXQH220T	592	135	14000	35000
25-30T	DEXQH300T	747	135	18000	46000
30-36T	DEXQH360T	1000	135	22000	55000



Hydraulic Grapples for Every Job

We supply various designs of fixed and rotating grapples to suit different jobs and worksites. Contact our team to discuss your specific requirements and get confirmed pricing for grapples delivered directly to your workshop or jobsite.



Hydraulic 5 Finger Grapples

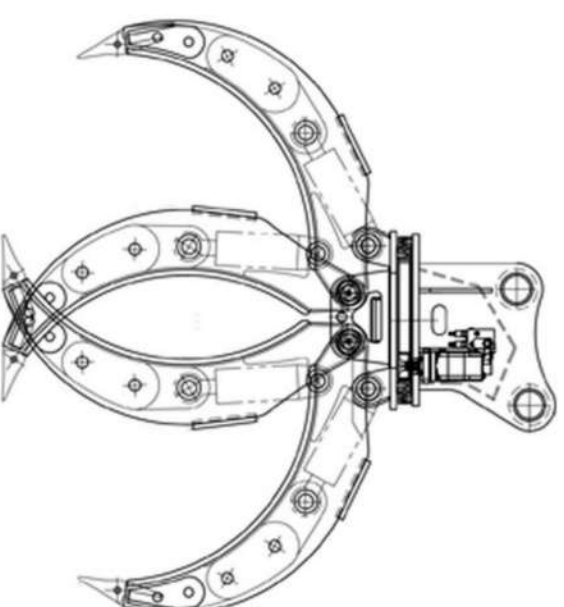
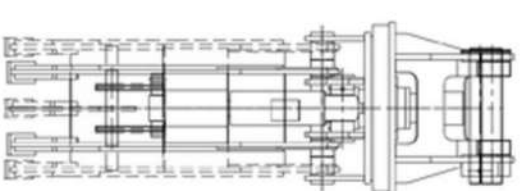


- ✓ Double oil cylinder equipped with hydraulic lock
- ✓ Japanese engineered oil seals, to ensure strong grasping force
- ✓ 360 degree rotation, equipped with weighted slewing mechanism
- ✓ High quality wear resistant steel
- ✓ Both electronic and hydraulic operation available



Hydraulic 5 Finger Grapples

MODEL	DEXHRG10	DEXHRG15	DEXHRG20	DEXHRG30
Excavator Weight (T)	6-11	12-18	18-30	30-40
Opening Size (mm)	1350	1500	1800	1960
Overall Size (mm)	580 x 465 x 1450	660 x 550 x 1620	920 x 790 x 2140	1010 x 790 x 2280
Overall Weight (kg)	450	530	1460	1680
Oil Flow (L/min)	35-45	100-120	120-150	150-180





Fixed Orange Peel Grapples

- ✓ Oil cylinder and hoses are enclosed within the finger component to prevent damage
- ✓ Non rotating design, to allow easy access for maintenance
- ✓ Four and five finger options

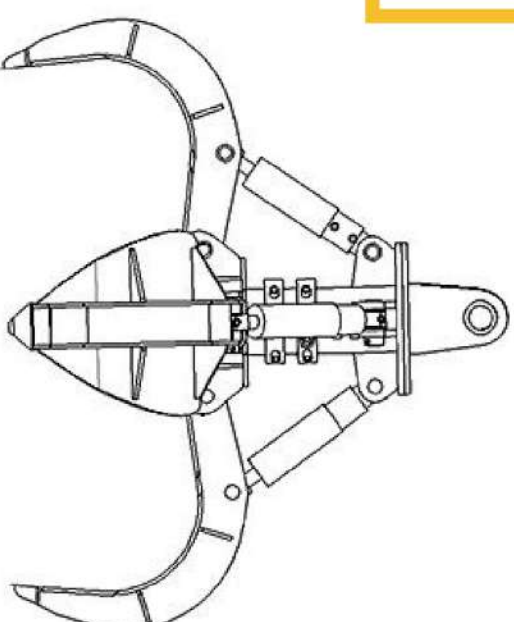


Rotating Orange Peel Grapples

- ✓ Oil cylinder and hoses are enclosed within main component to prevent damage
- ✓ 360 degree rotation, equipped with a weighted slewing mechanism
- ✓ High quality wear resistant steel

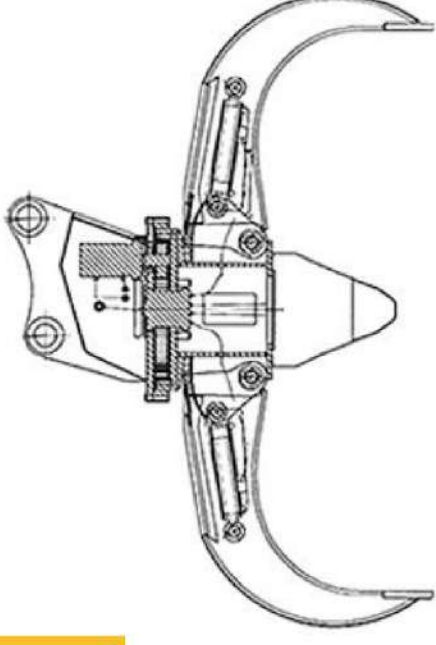
Fixed Orange Peel Grapples

MODEL	DEXOP80	DEXOP120	DEXOP200	DEXOP300
Excavator Weight (T)	5-8	12-15	18-27	28-36
Opening Size (mm)	1170	1550	1930	2500
Overall Size (mm)	580 x 465 x 1450	660 x 550 x 1620	920 x 790 x 2140	1010 x 790 x 2280
Working Pressuer (Mpa)	16-20	16-20	20-23	20-23
Overall Weight (kg)	380	780	1250	1660



Rotating Orange Peel Grapples

MODEL	DEXROP120	DEXROP200	DEXROP300	DEXROP400
Excavator Weight (T)	10-15	16-23	25-36	38-50
Opening Size (mm)	1350	1960	2400	2600
Working Pressure (bar)	220	250	250	250
Overall Weight (kg)	630	1500	1930	2230
Oil Flow (L/min)	80	150	180	220



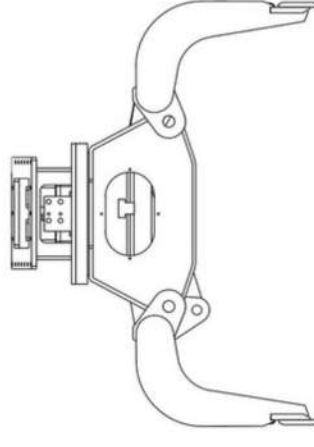
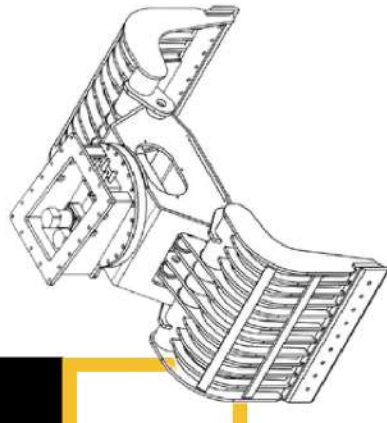


- ✓ Light weight option for handling demolition material
- ✓ Hydraulic system equipped with braking system
- ✓ Continuous 360 degree rotation
- ✓ High quality wear resistant steel
- ✓ Synchronized jaw operating system



Hydraulic Demolition Grapples

MODEL	DEXDG06	DEXDG08	DEXDG15	DEXDG20	DEXDG30
Excavator Weight (T)	3-5	6-8	10-18	16-23	25-40
Opening Size (mm)	1000	1400	1800	2050	2400
Jaw Width (mm)	400	550	845	1000	1250
Oil Flow (L/min)	50	50	80	80	80
Overall Weight (kg)	340	460	930	1450	2080





Hydraulic Pulverizers for Every Job

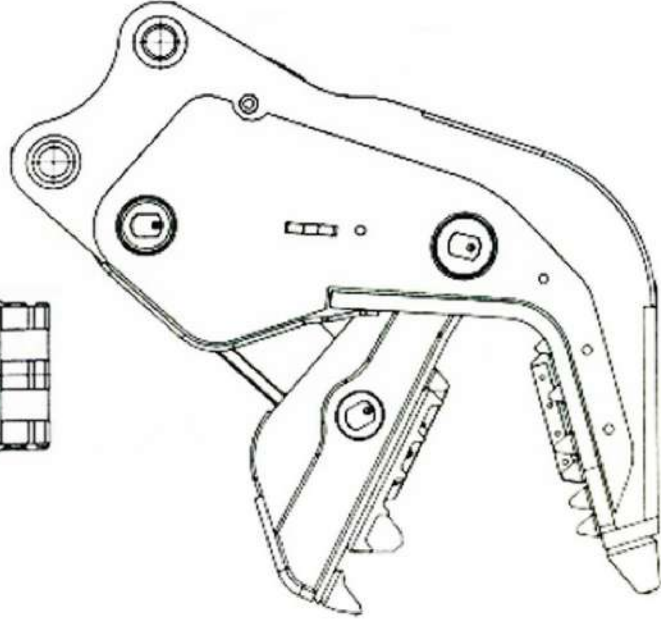
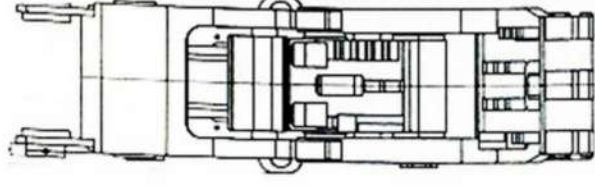
We supply various designs of hydraulic concrete pulverizers to suit different jobs and worksites. Contact our team to discuss your specific requirements and get confirmed pricing for pulverizers delivered directly to your workshop or jobsite.



- ✓ Faster oil cylinder with increased shearing force and shorter crushing & shearing time
- ✓ Continuous 360 degree rotation
- ✓ High quality wear resistant steel body
- ✓ HARDOX cutting blades extending the blade lifecycle

Hydraulic Concrete Pulverisors

MODEL	DEXPUL15	DEXPUL20	DEXPUL25
Excavator Weight (T)	10-15	18-24	35
Opening Size (mm)	600	800	980
Crushing Force Tip (T)	65	80	90
Crushing Force Middle (T)	80	100	110
Oil Flow (L/min)	220	240	240
Overall Weight (kg)	800	1350	2600





Hydraulic Shears for Every Job

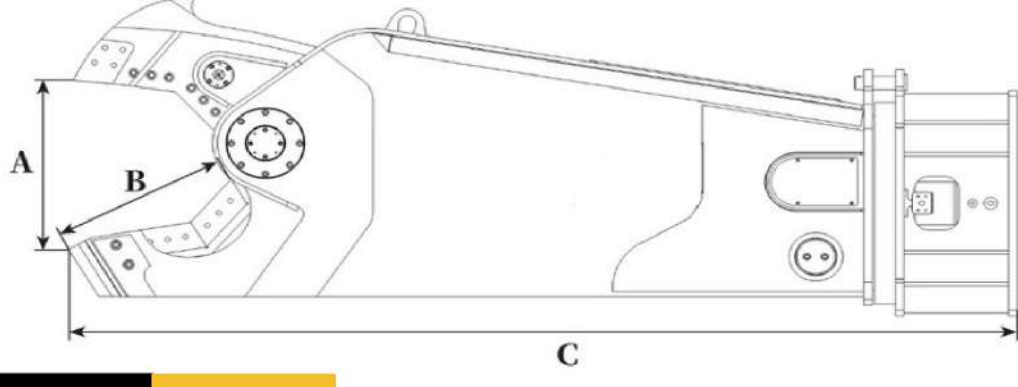
We supply various designs of fixed and rotating hydraulic shears to suit different jobs and worksites. Contact our team to discuss your specific requirements and get confirmed pricing for hydraulic shears delivered directly to your workshop or jobsite.

- ✓ High performance large cylinder for increased power
- ✓ Twin guides for moveable jaw to reduce jaw flexion
- ✓ Continuous 360 degree rotation
- ✓ High quality wear resistant steel
- ✓ HARDOX wear plates available



Hydraulic Shears

MODEL	DEXHS180	DEXHS280	DEXHS330	DEXHS380	DEXHS480	DEXHS580	DEXHS780
Excavator Weight (T)	13-17	18-27	25-35	28-39	40-50	51-65	68-90
Jaw Opening A (mm)	375	485	595	620	700	780	860
Jaw Depth B (mm)	395	525	630	600	720	780	850
Overall Length C (mm)	2100	2700	3200	3280	3700	3700	4000
Overall Weight (kg)	1100	2100	3000	3500	4900	5800	7800





Hydraulic Shears for Demolition

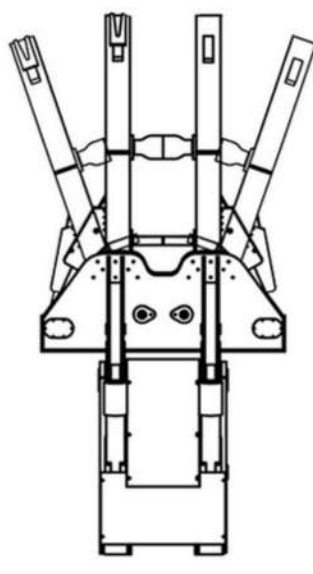
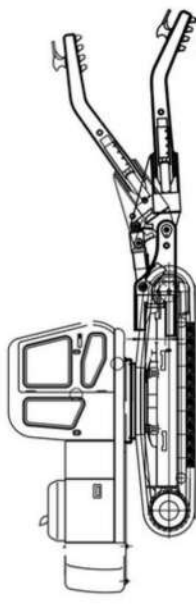
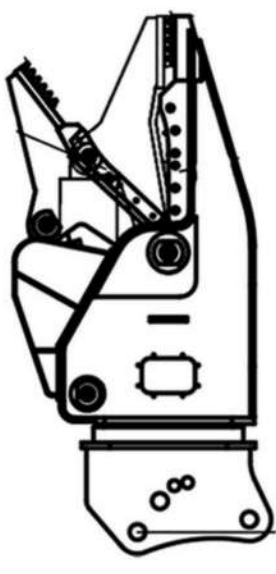
We supply various designs of fixed and rotating hydraulic shears to suit different jobs and worksites. Contact our team to discuss your specific requirements and get confirmed pricing for hydraulic shears delivered directly to your workshop or jobsite.

- ✓ Powerful oil cylinders to increase cutting force
- ✓ Hydraulic system equipped with braking system
- ✓ Continuous 360 degree rotation
- ✓ High quality wear resistant steel
- ✓ Easy to replace wear parts for fast maintenance

Hydraulic Demolition Shears

Demolition Shear	
MODEL	DEXDSHEAR
Excavator Weight (T)	20-24
Crushing Force (T)	170
Opening Size (mm)	745
Length of Lower Blade (mm)	280
Length of Upper Blade (mm)	280
Overall Weight (kg)	2400

Hydraulic Lift	
MODEL	DEXDLIFT
Excavator Weight (T)	20-24
Maximum Lift Height (mm)	1800
Maximum Opening Lift (mm)	2428
Overall Weight (kg)	3700
Overall Length (mm)	5065
Working Pressure (Mpa)	28-32





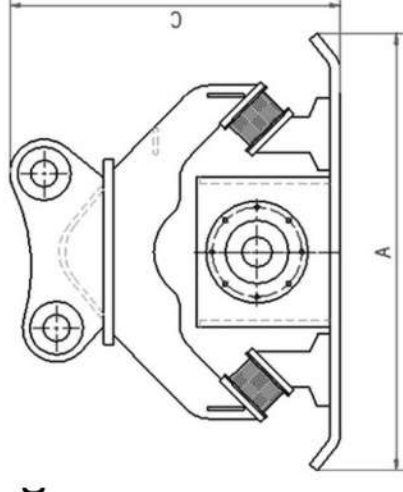
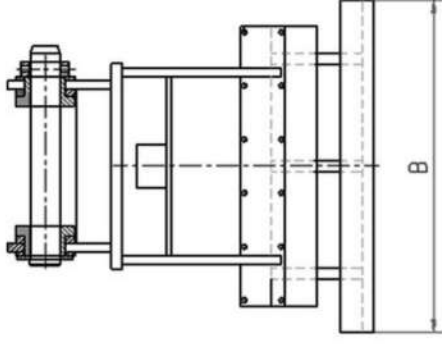
Hydraulic Compactors

We supply various designs of compactor plates to suit different jobs and worksites. Contact our team to discuss your specific requirements and get confirmed pricing for compactors delivered directly to your workshop or jobsite.

- ✓ High quality wear resistant steel
- ✓ Easy to replace wear parts for fast maintenance
- ✓ American PERMCO motor
- ✓ Specially designed 45 degree inclined vibration proof rubbers to absorb and minimise vibration.

Hydraulic Compactors

MODEL	DEXCP35	DEXCP40	DEXCP60	DEXCP80	DEXCP120
Excavator Weight (T)	20-35	20-40	40-60	60-80	80-120
Vibration Plate (mm)	745 x 450	700 x 480	844 x 850	1120 x 895	1350 x 1080
Overall Dimensions (mm)	745 x 450 x 647	800 x 480 x 685	1000 x 850 x 838	1313 x 895 x 992	1578 x 1080 x 1128
Working Pressure (Mpa)	13-15	13-15	13-15	13-15	13-16
Overall Weight (kg)	200	300	570	960	1320



Hydraulic Crusher Buckets

Multi-purpose crusher buckets to turn your excavator into an on site crusher. The high strength engineered buckets are used to crush basalt, limestone, granite, marble, concrete and waste recycling materials on site.

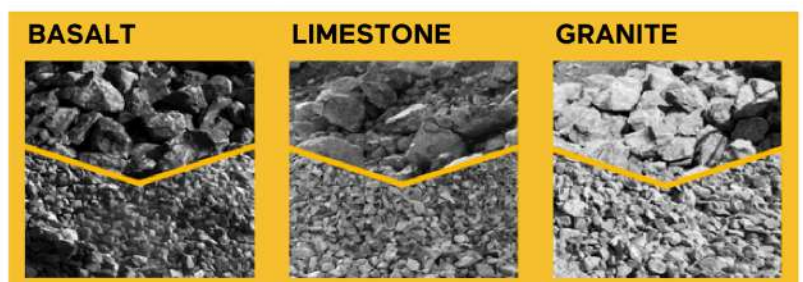


Compact design for various applications:

- ✓ Quarries
- ✓ Tunnels
- ✓ Commercial Worksites
- ✓ Construction Sites
- ✓ Mining
- ✓ Industrial Areas



Turn your excavator into an on site crusher, to crush basalt, limestone, granite, marble, concrete and waste recycling materials on site.



Hydraulic Crusher Buckets

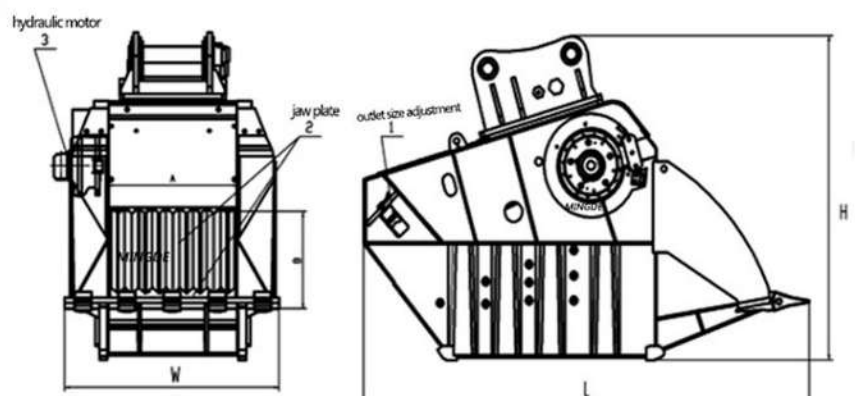
Engineered to consistently perform on site.

- ✓ HARDOX steel components for high performance
- ✓ Italian made direct-drive reversible hydraulic motor
- ✓ Exchangeable HARDOX upper & lower jaw plates
- ✓ Efficient crushing plate design
- ✓ Adjustable steel bars, from 15-120mm output
- ✓ Low maintenance design
- ✓ Pins to suit any make and model machine



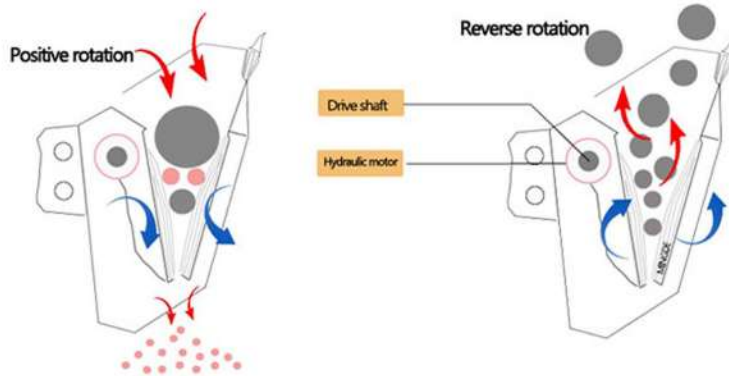
Low Maintenance Design

Each individual section of the crusher bucket has been engineered to be easily accessible for easy maintenance or repairs.








Direct Drive, Reversible Motor

High quality Italian made direct-drive reversible hydraulic motor allows the crusher to be reversed to clear out aggregate. The flywheel shaft runs directly through the motor for strong, reliable performance. Each individual section of the crusher bucket has been engineered to be easily accessible for easy maintenance or repairs.



Spare Parts Included

Part	Qty Per Set	Photo
Spline Shaft	2	
U Plate (Upper & Lower)	2	
Trapezoidal Plate	1	
Guide Screw	1	
Spring Box	1	

All spare parts are available for all Crusher Buckets for repairs and servicing to maximise the life of equipment.

Optional Parts

Jaw Plate Bead

2



Hydraulic Crusher Buckets



MODEL	DEX-70	DEX-120	DEX-200	DEX-300	DEX-670	DEX-870
Excavator Weight (T)	7-10	10-18	18-30	30-45	50-70	75-90
Bucket Capacity (m ³)	0.2	0.45	0.74	1.15	1.47	2.23
Oil Flow (L/min)	60	180	260	260	450	600
Feeding Size (mm)	400 x 330	400 x 550	500 x 700	500 x 1000	670 x 1150	670 x 1316
Overall Size (mm)	1585 x 952 x 1150	1950 x 1120 x 1500	2506 x 1325 x 1731	2346 x 1576 x 1665	2882 x 2105 x 2137	2882 x 2271 x 2137
Overall Weight (kg)	888	1359	3450	4220	6850	7668



Hydraulic Screening Buckets

We supply various sized screening buckets to suit different jobs and worksites. Contact our team to discuss your specific requirements and get confirmed pricing for compactors delivered directly to your workshop or jobsite.

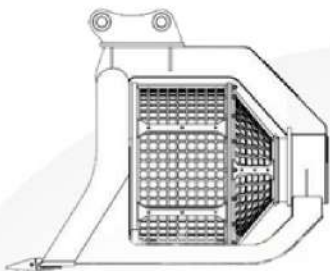
- ✓ High quality wear resistant steel
- ✓ Interchangeable screening mesh to suit every job
- ✓ Suitable for a range of applications
- ✓ Drive motor engineered to produce smooth rotation with reduced noise



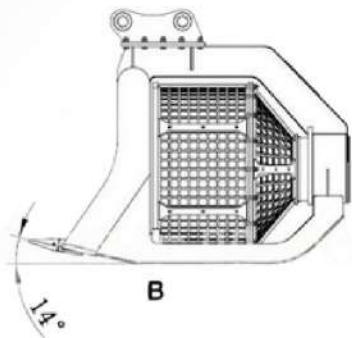
Customised to suit your requirements

Screening buckets can be made with flat edge or with teeth, with a 0 degree, 14 degree or 30 degree angle. Wire mesh available in different sizes as required.

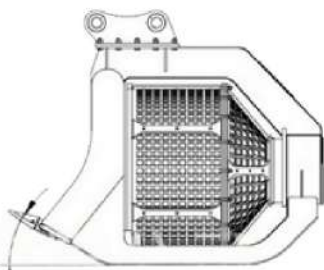
Contact our team to discuss your specific requirements and get confirmed pricing for screening buckets delivered directly to your workshop or jobsite.



A



B



C



Mesh from 1-120mm, interchangeable



Smooth operation and low noise.









HARDOX Steel Parts



Includes accessories

Hydraulic Screening Buckets

MODEL						
Excavator Weight (T)	1.5-3	3.5-5.5	6-10	11-18	19-28	29-38
Screen Diameter (mm)	500	610	810	1000	1350	1500
Rotating Speed (r/min)	35	60	65	65	65	65
Oil Flow (L/min)	20	30	60	80	110	110
Overall Weight (kg)	158	245	530	1020	1920	2430





Vibro Rippers to suit your requirements

We supply various types of vibro rippers to suit different jobs and worksites. Contact our team to discuss your specific requirements and get confirmed pricing for vibro rippers delivered directly to your workshop or jobsite.

- ✓ High quality wear resistant steel body
- ✓ French manufactured HYDRO LEDUC motor
- ✓ Choose between a HARDOX or ESCO tip
- ✓ Engineered to work underwater without any refits or parts changes



Vibro Ripper

MODEL	DEXVB20	DEXVB30	DEXVB40	DEXVB50	DEXVB60	DEXVBE5	DEXVBE6	DEXVBD6	DEXVBD8	DEXVBD10
Excavator Weight (T)	15-20	22-26	28-30	30-33	36-45	38-45	50-65	50-65	70-90	100-190
Impact Power (KN)	251	286	300	370	430	450	691	468	599	736
Length (mm)	2300	2700	2700	2800	3100	3400	3685	4500	4800	4850
Width (mm)	950	1200	1200	1250	1250	1207	1246	1300	1300	1400
Height (mm)	1350	1500	1500	1550	1650	1780	1815	1650	1850	1850
Overall Weight (kg)	3000	3600	3800	4300	5000	5500	6200	6500	7600	9200



Hydraulic Magnets

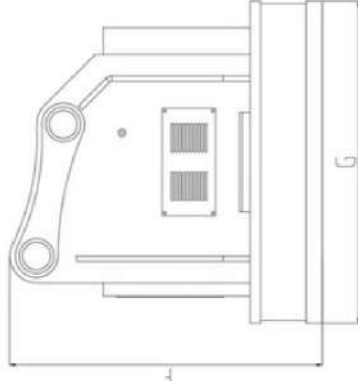
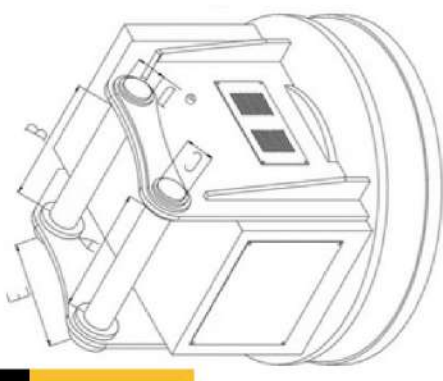
We supply various sized magnets to suit different jobs and worksites. Contact our team to discuss your specific requirements and get confirmed pricing for magnets delivered directly to your workshop or jobsite.

- ✓ High quality wear resistant steel
- ✓ Internal hydraulically generated power unit
- ✓ 1 second release rate
- ✓ Directly connects to breaker circuit



Hydraulic Magnets

MODEL	DEXHM75	DEXHM90	DEXHM100	DEXHM110	DEXHM120	DEXHM130
Excavator Weight (T)	6-7	10-15	15-18	20-25	25-30	30-40
Outer Diameter (mm)	750	900	1000	1100	1200	1300
Power (Kw)	3.5	6	10	10	15	15
Oil Flow (L/min)	80-110	90-120	100-140	130-170	200-250	250-320
Overall Weight (kg)	550	1050	1530	1650	1740	1870

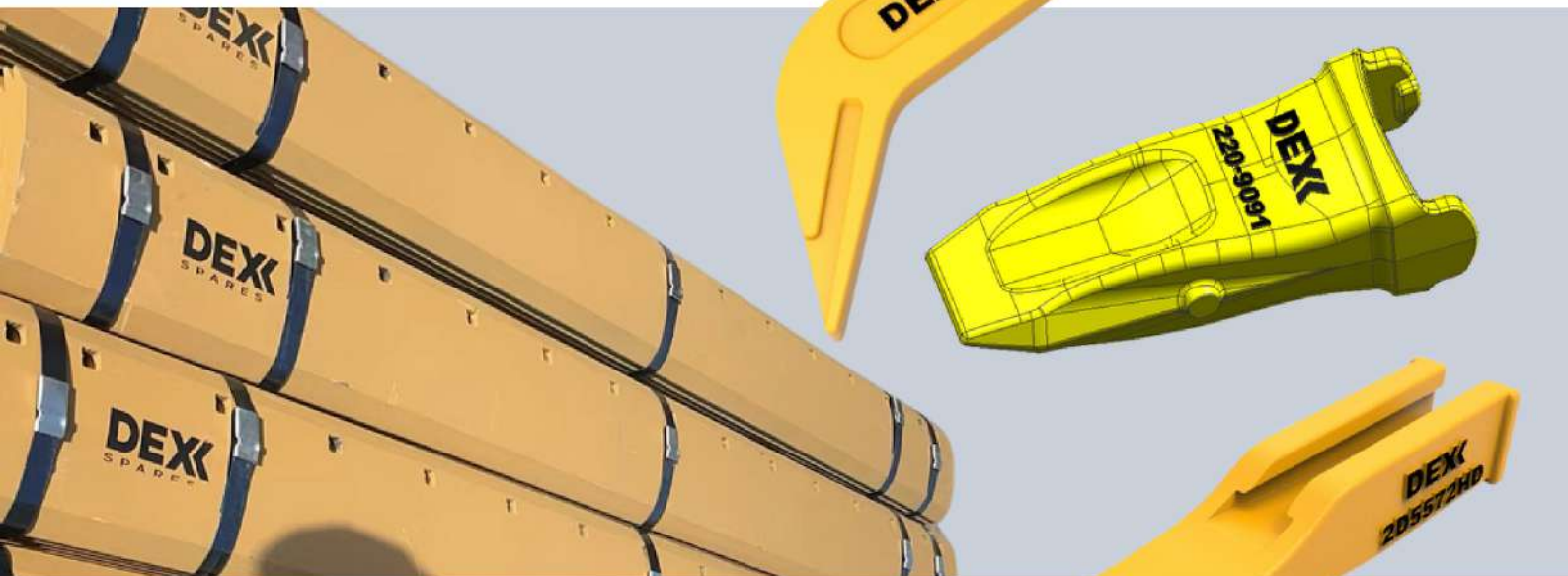


Various GET Wear Parts

We supply a range of high quality wear parts to suit different machines.

Please contact us for more information regarding GET Wear Parts details and pricing delivered directly to your workshop or jobsite.

- Scarifier Tips & Shanks
- Various Series Teeth, Adapters & Retainers
- Grader Blades, Cutting Edges, End Bits
- Segments Sprockets
- Undercarriage Parts
- Chocky Bars
- + More

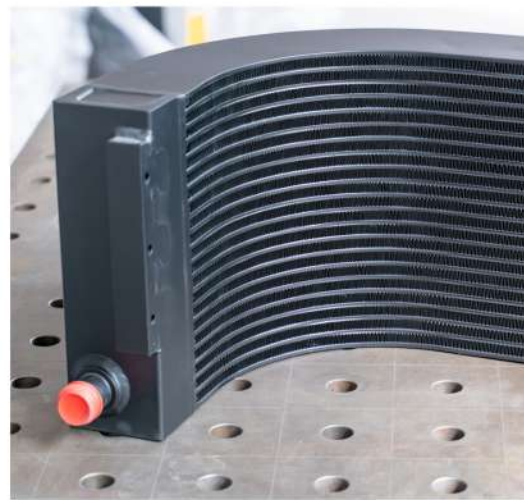


Various Heat Exchangers

DEX supply a wide range of cooling solutions to suit construction machinery, hydraulic systems, air compressors, generators and other vehicles.

Please contact us for more information on heat exchangers delivered directly to your workshop or jobsite.

- Oil Coolers
- Intercoolers | Aftercoolers | CAC
- Radiator Units
- Custom Designed Cooling Packages



A Better Way to Buy Machinery Spares



Rockbreakers



Quick Hitches



Attachments



Buckets



Wear Parts



Heat Exchangers

Our team offer machinery owners and operators an alternative to expensive Original Equipment parts. Our DEX factory-direct model lowers costs and avoids unnecessary costs to give our customers a competitive advantage throughout earthmoving, quarry, construction, demolition and waste management industries.

- ✓ Original Equipment Alternative
- ✓ High Performance Engineered Solutions
- ✓ Factory Direct to Door



Product Customisation and Spare Parts

DEX products are made to suit any make and model machine. Further customisations can be made, such as extended hydraulic hose lines to suit your business. Work with our team to custom design, engineer and manufacture custom made excavator attachments. Spare parts & rebuild kits are available for DEX products to maximise the life of equipment.

If you don't see what you need in this catalogue, contact our team for more information.

DEX
SPARES

FACTORY DIRECT MACHINERY SPARES



+61(0)7 4728-1158
info@dexspares.com
www.dexspares.com

